

MINI Concrete (100–160 mm)

USE ON CONCRETE

Classification/system components

- Designation:** Approved permanent scaffold anchor system for ETICS, ventilated curtain wall façade and cavity wall according to DIN 4426 (German standard). For use on cracked and non-cracked concrete of the quality C20/25–C50/60
- Add. feature:** for structure thicknesses from 100–160 mm
- rocketplug:** Heavy-duty steel wall plug
- rocketbase:** Load distribution plate, galvanised steel, \varnothing 90 mm
- rocketbody:** Anchor body, plastic (glass-fibre reinforced)
- rocketbolt:** Eye-bolt, special steel, \varnothing 18 mm
- rocketseal:** Plug, plastic body with hex stainless steel insert
- Art. number:** 9.1.100

Accessories (available separately)

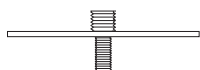
- rocketglue:** fast-hardening composite glue for initial adhesion of the load distribution plate
- Assembly set:** Available as Standard or Extended (for ETICS panels). Necessary special tools for assembly of the isorocket® permanent scaffold anchor



Product description:

The **isorocket®** permanent scaffold anchor **MINI Concrete** is an approved anchor system according to DIN 4426 (German standard) for external thermal insulation composite systems (ETICS), ventilated curtain wall façade (VCW) and cavity wall that protects the façade against damage right from the outset. **isorocket®** remains as a permanent, almost thermal bridge-free anchor point integrated into the façade, which means it can be reused at any time. Thanks to its ideal force dissipation, the **isorocket®** permanent scaffold anchor not only ensures a secure hold of the construction scaffold, it can also be applied for various uses in new buildings and also later. The extensive work required to fix damage to new façades, for instance damage often caused by conventional ring screws, is now a thing of the past. The **isorocket®** permanent scaffold anchor **MINI Concrete** is suitable for structure thicknesses of 100–160 mm on concrete. The permanent anchor system allows clean separation of the various trades and does not leave any mutual dependencies between the façade and scaffold construction.

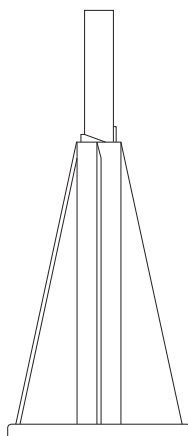
Deutsches Institut für Bautechnik
DIBt
Zulassungs-Nr. Z-21.8-2088



rocketbase (Load distribution plate)



rocketplug (Wall plug)



rocketbody (Anchor body)



rocketbolt (Eye-bolt)



rocketseal (Seal)

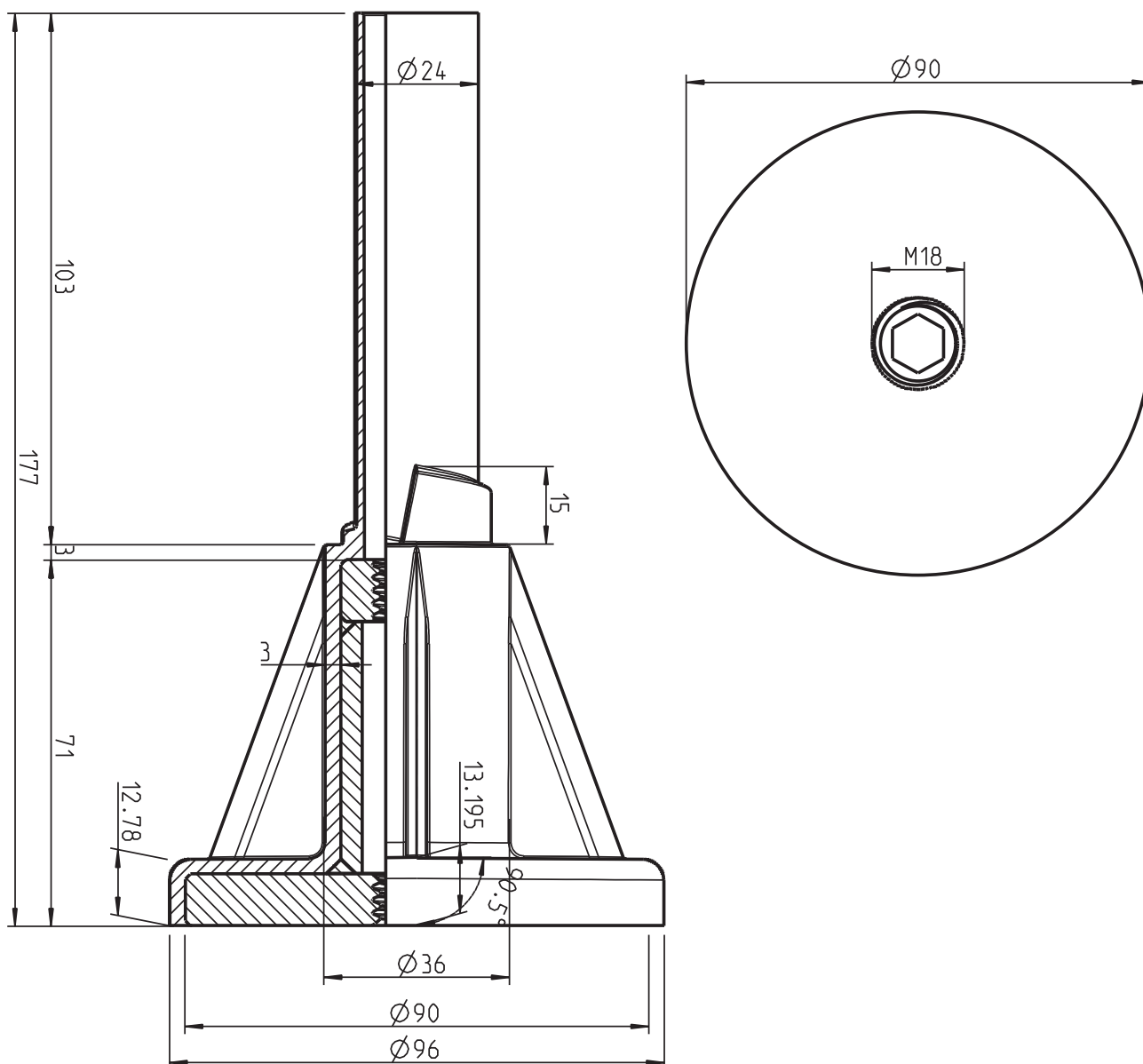
Professional permanent scaffold anchor for ETICS, VCW and Cavity wall. Approved for use on concrete according to DIN 4426 (German standard) with ideal force dissipation. Remains permanently in the façade and can be reused at any time.

MINI Concrete (100–160 mm)

USE ON CONCRETE

DIMENSIONS

rocketbody (Anchor body) / rocketbase (Load distribution plate)



isorocket®

PERMANENT SCAFFOLD
ANCHOR FOR ETICS/
VCW/CAVITY WALL

MINI

MINI Concrete (100–160 mm)

USE ON CONCRETE

CAD SCREEN



The CAD data for this permanent anchor system are available for download at www.isorocket.de

isorocket®
GERÜSTANKER